

The SP8908 is one of a range of very high speed low power prescalers for professional applications. The dividing elements are static D type flip flops and therefore allow operation down to DC if the drive signal is a pulse waveform with fast risetime. The output stage has a differential current output and provides a direct drive into a 50 ohm load.

#### FEATURES

- Very High Operating Speed
- Operation down to DC with square wave input
- Silicon Technology for low Phase Noise  
(Typically better than  $-140\text{dBc/Hz}$  at 1KHz)
- 5V Single Supply Operation
- Low Power Dissipation-360mW (Typ.)
- Surface Mount Plastic Package

#### ABSOLUTE MAXIMUM RATINGS

Supply Voltage, $V_{CC}$	6.5V
Storage Temperature	$-65^{\circ}\text{C}$ to $+150^{\circ}\text{C}$
Maximum Junction Temperature	$+150^{\circ}\text{C}$
Prescaler Input Voltage	2.5Vp-p
Operating Temperature	KG $-40^{\circ}\text{C}$ to $+85^{\circ}\text{C}$ $T_{\text{case}}$

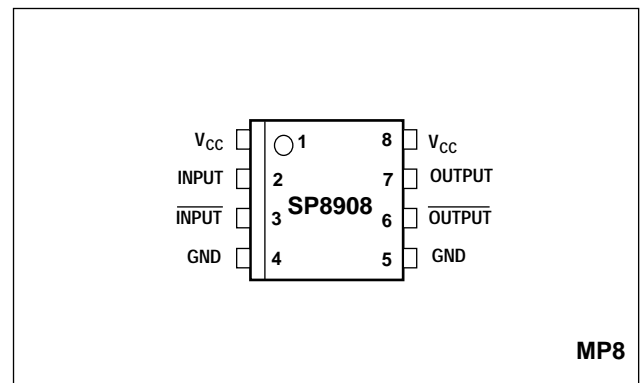


Fig.1 Pin connections - top view

#### ORDERING INFORMATION

SP8908/KG/MP1S (Tubes)  
 SP8908/KG/MP1T (Tape and Reel)

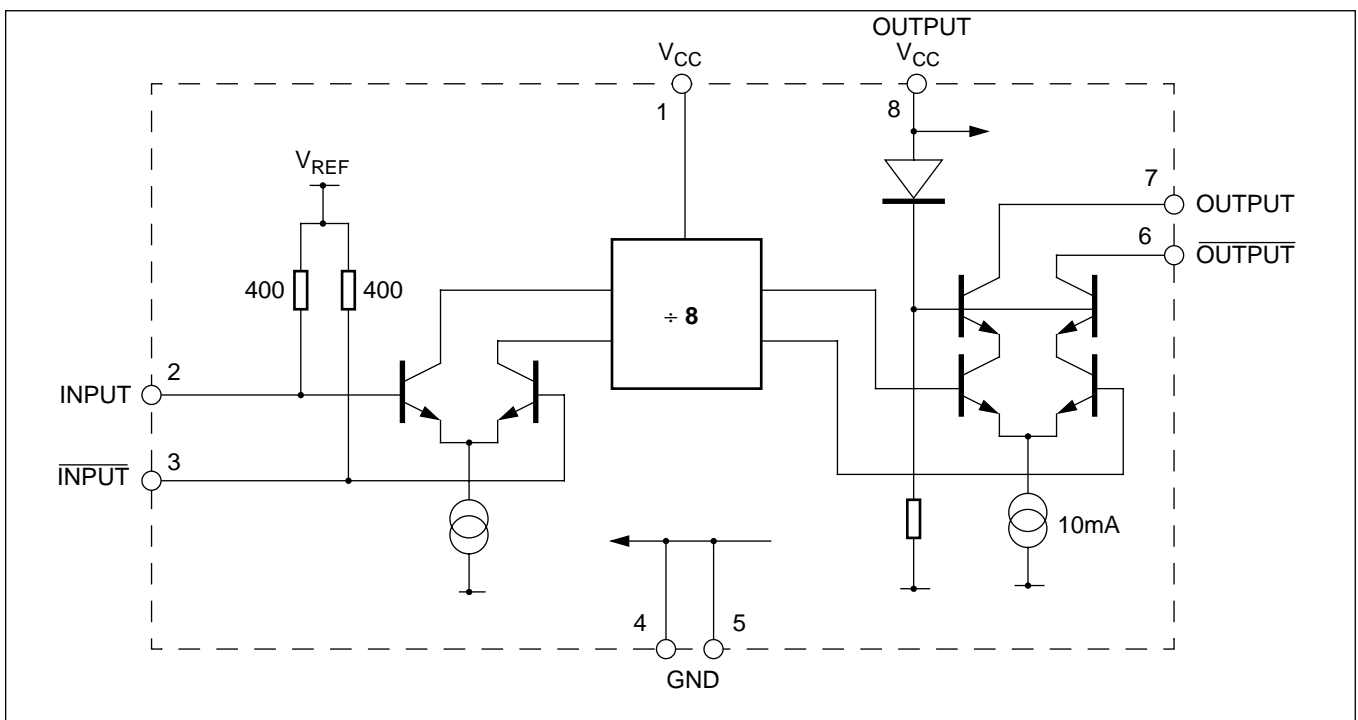


Fig.2 SP8908 block diagram

# SP8908

## SP8908CG ELECTRICAL CHARACTERISTICS

Guaranteed over the full specified temperature and supply voltage range

**Test conditions (unless otherwise stated):**

Temperature  $T_{amb} = -40^{\circ}\text{C}$  to  $+85^{\circ}\text{C}$ .

Supply Voltage:  $V_{CC} = 4.75\text{V}$  and  $5.25\text{V}$

Characteristic	Pin	Value			Units	Conditions
		Min.	Typ.	Max.		
Supply current	1, 8	-	72	96	mA	
Input frequency	2, 3	1.0	-	5.0	GHz	RMS sinewave
Input sensitivity	2, 3	-	-	180	mVrms	$f_{in} = 1\text{GHz} \ \& \ 4.2\text{GHz}$
Input sensitivity	2, 3	-	-	570	mVrms	$f_{in} = 5\text{GHz}$
Input overload	2, 3	440	-	-	mVrms	$f_{in} = 1\text{GHz} \ \& \ 3.0\text{GHz}$
Input overload	2, 3	700	-	-	mVrms	$f_{in} = 5\text{GHz} \ \& \ 3.8\text{GHz}$
Output voltage	6, 7	-	0.5	-	Vp/p	Into $50\Omega$ pull up resistor
Output power	6, 7	-10.0	0	+2.0	dBm	$f_{in} = 1$ and $5\text{GHz}$ (see note 1)

**NOTE 1.**

Measured into  $50\Omega$  measuring instrument in parallel with  $50\Omega$  pull up resistor. See Fig.5.

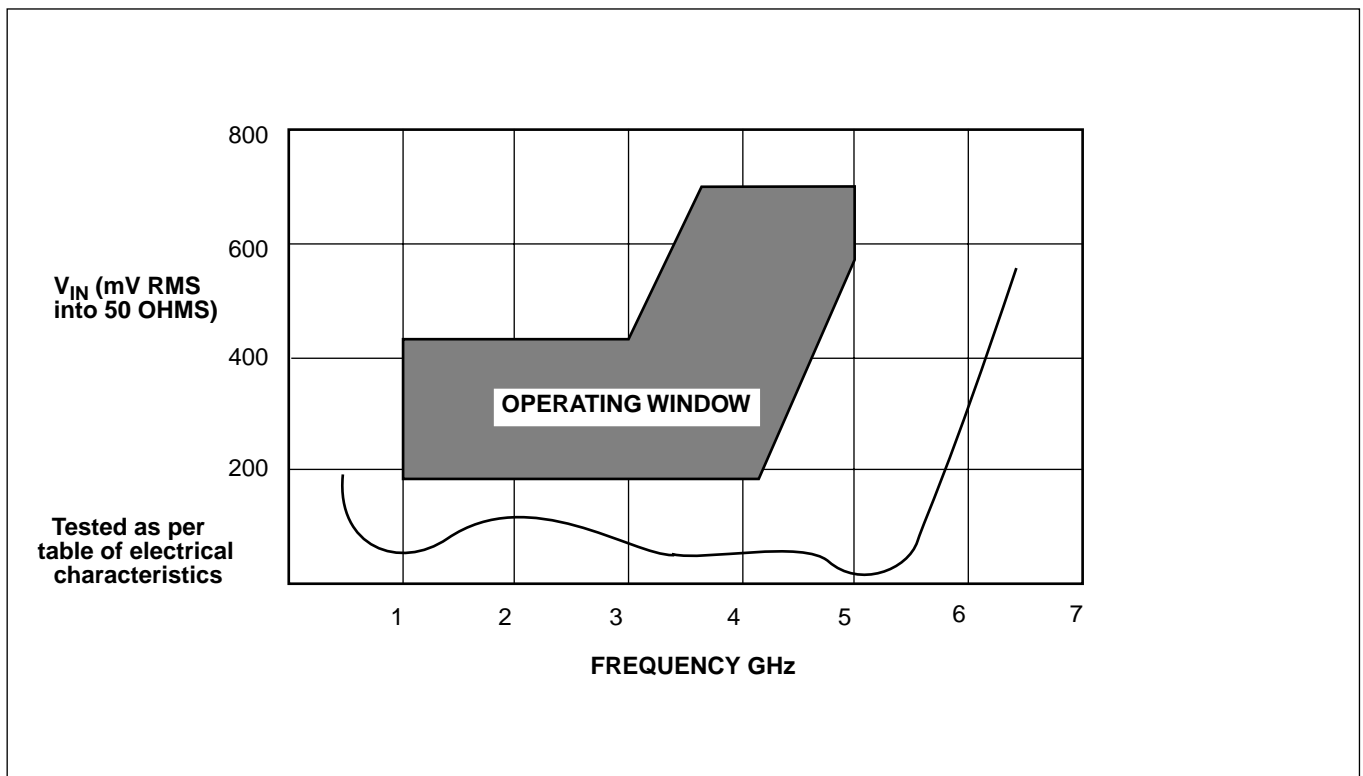


Fig.3 Typical input sensitivity (sine wave drive)

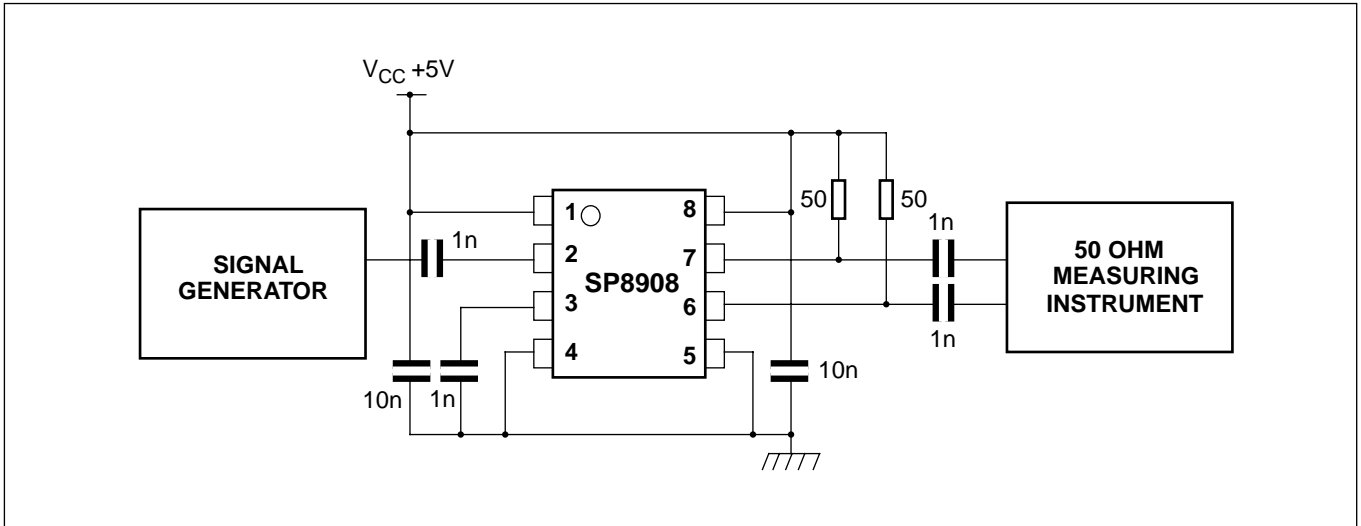


Fig.4 Typical application and test circuit

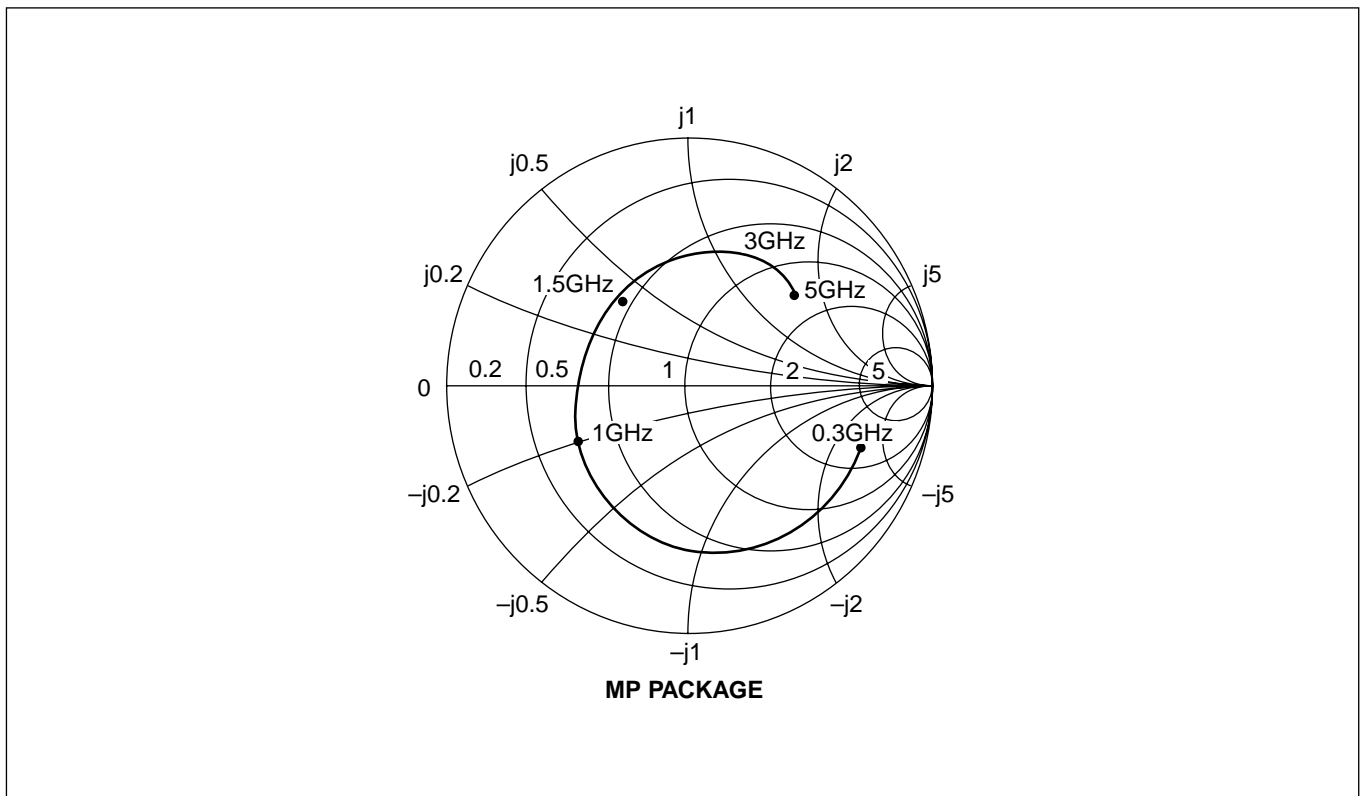


Fig.5 Typical input impedance

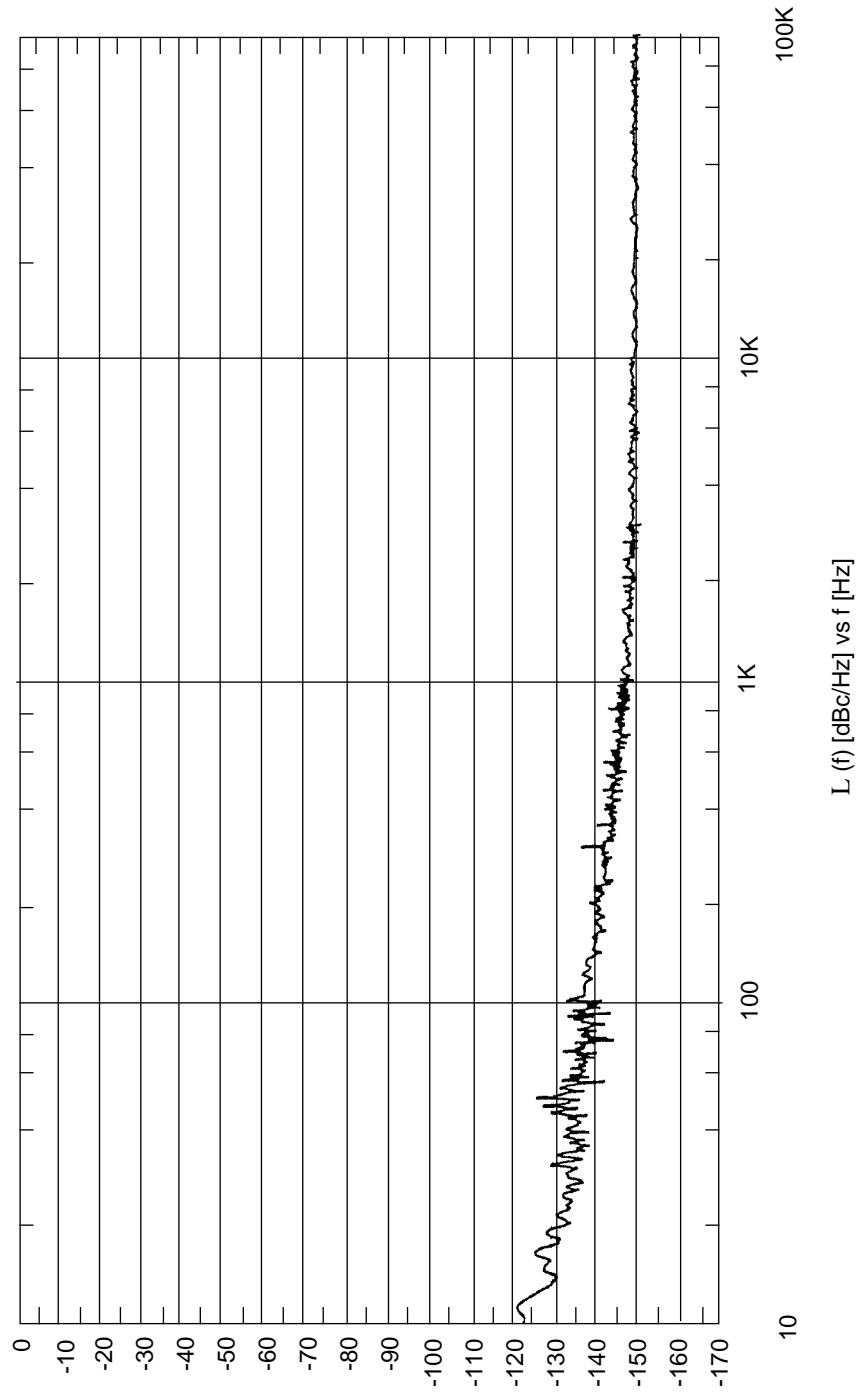


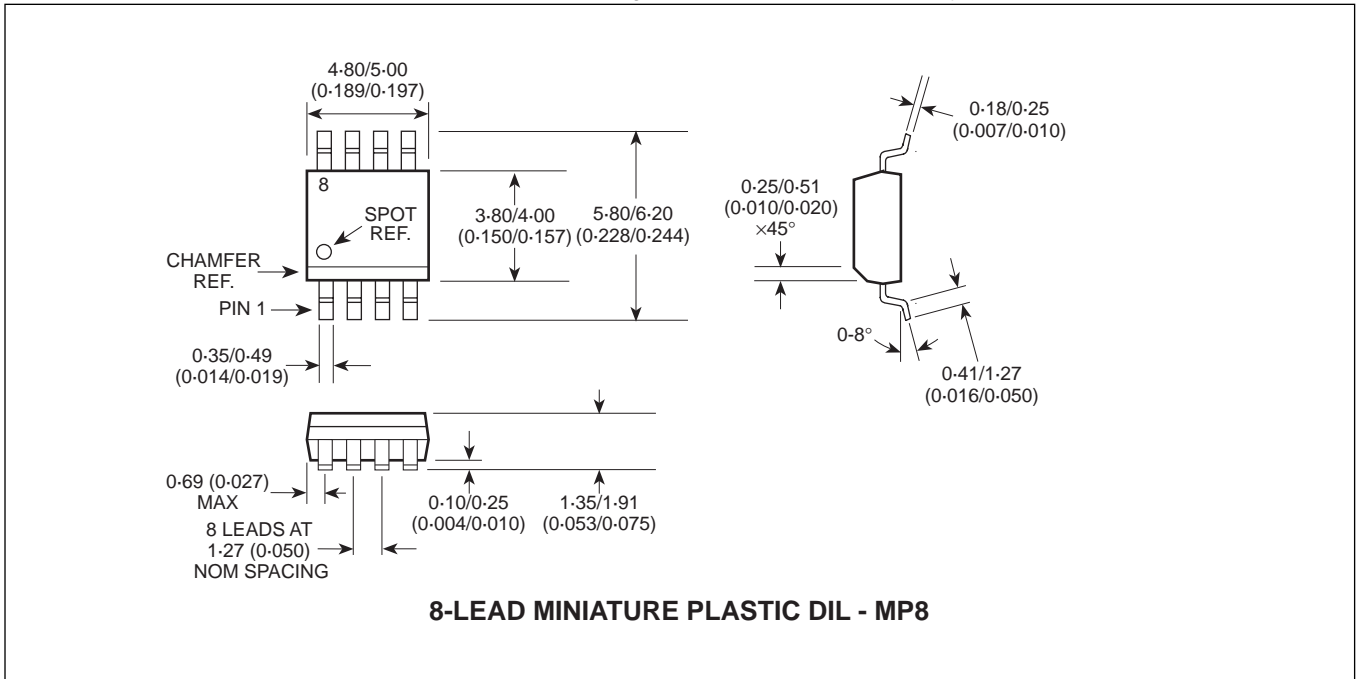
Fig.6 Typical phase noise of SP8908, input frequency = 3GHz

NOTES

## SP8908

### PACKAGE DETAILS

Dimensions are shown thus: mm (in). For further package information please contact your local Customer Service Centre.



#### HEADQUARTERS OPERATIONS

##### MITEL SEMICONDUCTOR

Cheney Manor, Swindon,  
Wiltshire, United Kingdom. SN2 2QW  
Tel: (01793) 518000  
Fax: (01793) 518411

##### MITEL SEMICONDUCTOR

P.O. Box 660017,  
1500 Green Hills Road,  
Scotts Valley, California 95067-0017,  
United States of America.  
Tel (408) 438 2900  
Fax: (408) 438 5576

#### CUSTOMER SERVICE CENTRES

- **FRANCE & BENELUX** Les Ulis Cedex Tel: (1) 69 18 90 00 Fax: (1) 64 46 06 07
- **GERMANY** Munich Tel: (089) 3609 06-0 Fax: (089) 3609 06-55
- **ITALY** Milan Tel: (02) 6607151 Fax: (02)66040993
- **JAPAN** Tokyo Tel: (03) 5276-5501 Fax: (03) 5276-5510
- **KOREA** Seoul Tel: (2) 5668141 Fax: (2) 5697933
- **NORTH AMERICA** Scotts Valley, USA Tel: (408) 438 2900 Fax: (408) 438 7023
- **SOUTH EAST ASIA** Singapore Tel: 3827708 Fax: 3828872
- **SWEDEN** Stockholm Tel: (8)702 97 70 Fax: (8)640 47 36
- **TAIWAN, ROC** Taipei Tel: (2)5461260 Fax: (2)7190260
- **UK, EIRE, DENMARK, FINLAND & NORWAY**  
Swindon Tel: (01793) 726666 Fax: (01793) 518582

These are supported by Agents and Distributors in major countries worldwide.

© Mitel Corporation 1998 Publication No. DS4359 Issue No.1.2 April 1997

TECHNICAL DOCUMENTATION - NOT FOR RESALE. PRINTED IN UNITED KINGDOM

This publication is issued to provide information only which (unless agreed by the Company in writing) may not be used, applied or reproduced for any purpose nor form part of any order or contract nor to be regarded as a representation relating to the products or services concerned. No warranty or guarantee express or implied is made regarding the capability, performance or suitability of any product or service. The Company reserves the right to alter without prior notice the specification, design or price of any product or service. Information concerning possible methods of use is provided as a guide only and does not constitute any guarantee that such methods of use will be satisfactory in a specific piece of equipment. It is the user's responsibility to fully determine the performance and suitability of any equipment using such information and to ensure that any publication or data used is up to date and has not been superseded. These products are not suitable for use in any medical products whose failure to perform may result in significant injury or death to the user. All products and materials are sold and services provided subject to the Company's conditions of sale, which are available on request.  
All brand names and product names used in this publication are trademarks, registered trademarks or tradenames of their respective owners.